



Pulse Ion Touchscreen Computer

The Pulse Ion Touchscreen Computer is powerfully built for modern business environments. This next gen refresh comes from the ever-popular Pulse Ultra WS. Our redesign introduces a symmetrical bezel and redesigned base. Driven by Intel® N150 or Intel® Core™ i3-N305 processors, with memory up to 32GB and NVMe M.2 storage, it delivers exceptional speed and reliability. Its 15.6" Full HD true-flat PCAP multi-touch display ensures seamless interaction, while extensive I/O, powered USB, and flexible OS support, including Windows, Linux, and Android 13, make integration effortless. Designed for performance, connectivity, and efficiency.

Discover the Touch Dynamic Difference.



DESIGNED AS AN IDEAL SOLUTION FOR:



QSR



Hospitality



Casino



C-Store



AND MORE!

KEY FEATURES & BENEFITS

Powerfully Sophisticated

- ★ Next Gen Successor of the Pulse Ultra WS
- ★ Upgraded Intel® N150 or Intel® Core™ i3 CPUs
- ★ Windows, Linux, or Android 13 OS Options

Custom Configuration

- ★ Optional 11.6" or 15.6" Rear Touchscreen Display
- ★ Access to our Full Peripheral Ecosystem

Pulse Ion

Touchscreen Computer

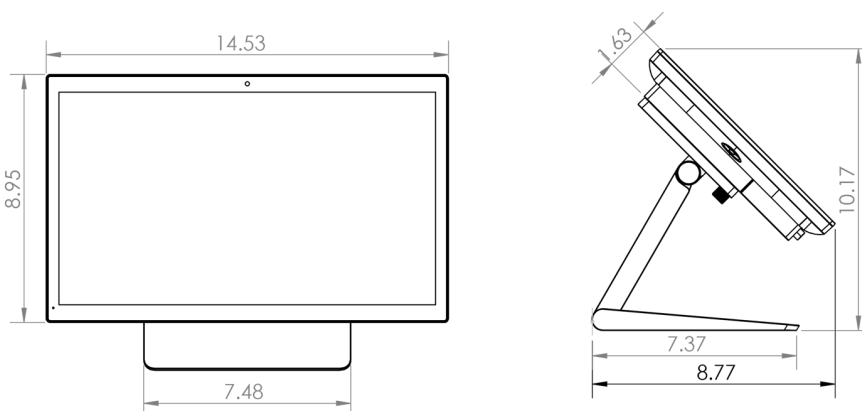


Product Specifications

CPU / Processor	Intel®N150	Intel® Core™ i3-N305
Memory	1 x SODIMM (Up to 32GB)	
Storage	1 x NVMe M.2 SSD	
Supported OS	Windows 10 IoT, Windows 11 IoT, Windows 11 Pro, Linux, Android 13, Android 15	
I/O Ports	2 x USB-A 3.0 4 x USB-A 2.0 1 x USB-C (data and video) 1 x custom miniDP (convertible to HDMI or VGA) 3 x RJ48 Serial Ports 1 x RJ45 Gigabit LAN 1 x RJ11 Cash Drawer Port 1 x 4-PIN (w. latch) DC Jack	
Audio	1 x 3W Speaker	
Power	65W / 19V 180W / 19V for powered USB	120W / 19V 180W / 19V for powered USB
Display	15.6" Widescreen (1920 x 1080), True-Flat PCAP Multi-Touch	
Peripherals (options)	Camera 3-Track MSR (USB) Fingerprint reader 2D Honeywell barcode scanner WiFi Pinpad brackets Printer Base 2 x 20 customer display 11.6" or 15.6" Rear Display (w. touch) VFD (2 x 20) Line Display Powered USB expansion (I/O expansion port)	
VESA	100 x 100 and 75 x 75	

Product specifications and data are subject to change without notice.

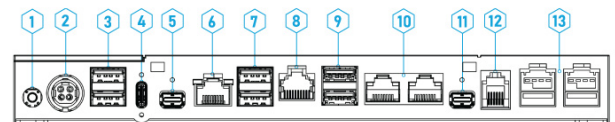
Pulse Ion Dimensions



Default Configurations

Product Code	Description
PIA-C8BNBN-0000000	Intel® N150 Processor, 8GB RAM, 128GB NVMe SSD, without OS, Ion Base
PIAC8BLBN-0000000	Intel® N150 Processor, 8GB RAM, 128GB NVMe SSD, Windows 11 IoT, Ion Base
PIA-C8B1BN-0000000	Intel® N150 Processor, 8GB RAM, 128GB NVMe SSD, Windows 11 Pro, Ion Base
PIA-38BNBN-0000000	Intel® Core™ i3-N305, 8GB RAM, 128GB NVMe SSD, without OS, Ion Base
PIA-38BLBN-0000000	Intel® Core™ i3-N305, 8GB RAM, 128GB NVMe SSD, Windows 11 IoT, Ion Base
PIA-38B1BN-0000000	Intel® Core™ i3-N305, 8GB RAM, 128GB NVMe SSD, Windows 11 Pro, Ion Base

I/O Interfaces



- 1 POWER BUTTON
- 2 DC JACK
- 3 2 X USB-A 2.0
- 4 USB-C
- 5 CUSTOM MINI DP
- 6 RJ45 GIGABIT LAN
- 7 2 X USB-A 2.0
- 8 1 X RJ48 PORT
- 9 2 X USB-A 3.0
- 10 2 X RJ48 PORT
- 11 CUSTOM MINI DP
- 12 RJ11 CASH DRAWER PORT
- 13 OPTIONAL POWERED USB +12V/+24V