



Fusion Hybrid Tablet

Discover the ultimate in versatility with the Fusion Hybrid Tablet, an All-in-One (AIO) solution that seamlessly transitions between stationary and mobile modes. Its innovative base, featuring a secure electronic lock, allows for effortless conversion with a single button press. Built to withstand the toughest environments, the ruggedized tablet comes with a removable bumper for enhanced durability. Plus, with customizable peripherals like MSR, Honeywell Barcode Reader, and RFID, it can be tailored to meet your specific business needs. Perfect for a wide range of commercial settings, the Fusion Hybrid Tablet is the smart choice for those who demand flexibility and reliability. [Discover the Touch Dynamic Difference.](#)



KEY FEATURES & BENEFITS

Mobility Made Easy

- ★ Intel® Elkhart Lake Celeron® J6412 CPU
- ★ 8 GB RAM Standard / 128 GB eMMC Storage
- ★ Adapts in a Snap - Converts easily from All-in-One to Tablet
- ★ 11.6" Widescreen LCD Display

Custom Configuration

- ★ Integrated 2D Barcode Reader Option
- ★ Rear Camera Option
- ★ MSR, Fingerprint Reader, & RFID Options

DESIGNED AS AN IDEAL SOLUTION FOR:



Restaurants



Casino



Retail



Healthcare



AND MORE!

CONTACT US



Fusion Hybrid

Tablet



Product Specifications

CPU / Processor	Intel® Elkhart Lake Celeron® J6412 up to 2.6 Ghz System
Memory	8GB LPDDR4 RAM
Storage	128GB eMMC SSD
Supported OS	Windows 10 IoT, Windows 11, Android 13, Linux ¹
I/O Ports	1 x USB-C 3.0 (on tablet) 1 x DC-in (on tablet) 3 x USB-A 2.0 1 x USB-C 2.0 1 x 12V Power USB 1 x 24V Power USB 1 x RJ45 LAN
Audio	1 x Integrated Speaker with Microphone
Power	3.8 V 7000mAh Battery 120 / 19V Power Adapter ²
Display	11.6" Widescreen (1920 x 1080) True-Flat PCAP Multi-Touch
Network Connectivity	Intel Wireless 802.11 (a/b/g/ac/ax) 5.2, LAN 10/100 mbit
Control	G-Sensor
Peripheral (options)	MSR ID Tech VP3300 Reader Ingenico Moby5500 Reader HID Global RFID Reader Integrated 2D Barcode Reader, Honeywell 3601 2MP Reader Camera
Certificate	FCC Class B, CE Mark Class B, LVD, RF
Environment	0°F ~ 104°F (Discharged) Operating & Storage Temperature 32°F ~ 95°F (Charging) 20% ~ 80% RH non-condensing Operating & Storage Humidity
Dims & Weight	10.85" W x 6.35" H x 7.03" L Tablet: 1.85lbs Stand: 3.95lbs

Product specifications and data are subject to change without notice.

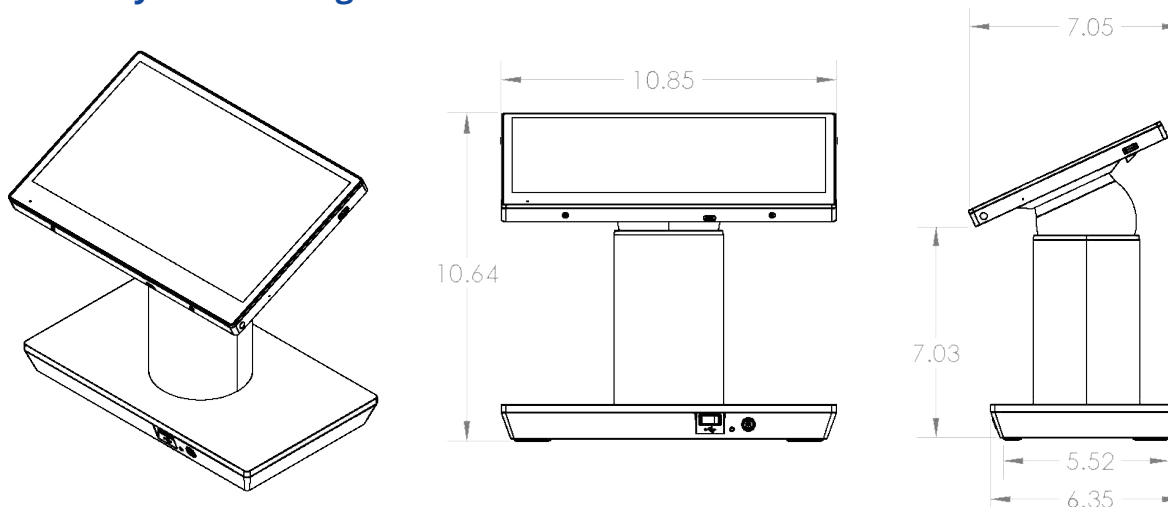
Default Configurations

Product Code	Description
FH1000M-BXXNNN	Intel® Celeron® J6412, 8G Ram, 128GB eMMC, Win 10 IOT LTSC, Base
FH1000LBXX-NNN	Intel® Celeron® J6412, 8G Ram, 128GB eMMC, Win 11 IOT LTSC, Base
FH10001BXX-NNN	Intel® Celeron® J6412, 8G Ram, 128GB eMMC, Win 10 PRO, Base

¹ Inquire about availability

² Tablet Charging through Stand

Fusion Hybrid Drawing



CONTACT US

