



Breeze 185 Ultra

All-in-One

The robust and adaptable Breeze 185 Ultra is built to meet the evolving demands of modern business environments. Available with powerful Intel® Celeron® or Core™ processors and supporting Windows 11, Linux, and Android 13, this All-in-One delivers both performance and flexibility. The vivid 18.5" Full HD True-Flat PCAP touchscreen ensures a smooth, responsive user experience, perfect for high-traffic retail and hospitality settings. With an expansive range of peripherals, including a secondary touchscreen, fingerprint reader, camera, and payment integration, the Breeze 185 Ultra keeps your operation moving forward. [Discover the Touch Dynamic Difference.](#)



DESIGNED AS AN IDEAL SOLUTION FOR:



Restaurants



Casino



Retail



Healthcare



AND MORE!

KEY FEATURES & BENEFITS

Reliable Performance

- ★ Intel® Celeron® J6412 or Intel® Core® up to i5
- ★ Supports Windows, Android & Linux
- ★ 8GB of High-Speed DDR4 Memory, up to 32GB
- ★ Sleek 18.5" HD Widescreen Display

Custom Configuration

- ★ 11.6" or 15.6" Rear Touchscreen Optional
- ★ Multiple Payment Options Supported

CONTACT US



Breeze 185 Ultra

All-in-One

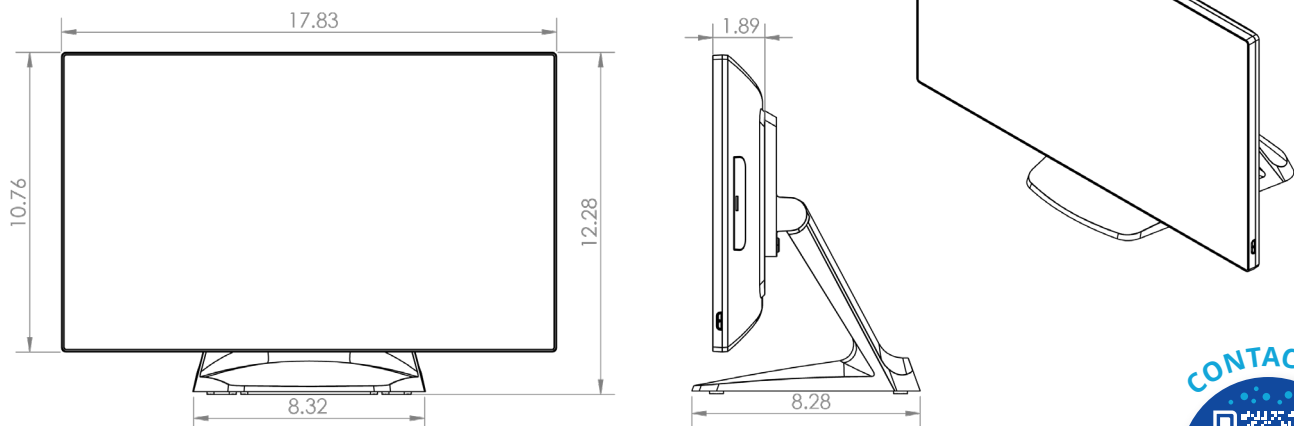


Product Specifications

CPU / Processor	Intel® Celeron® J6412 Intel® Core™ i3-1115G4 Intel® Core™ i5-11135G7
Memory	8GB DDR4, up to 32GB
Storage	128GB NVMe M.2 SSD (upgradable)
Supported OS	Windows 10 IoT Enterprise, Windows 11 IoT/Pro, Linux, Android 13
I/O Ports	2 x USB 3.0, 2 x USB 2.0 2 x USB-C (J6412 2 x data only, i3/i5 1 x Video & Power Delivery, 1 x data only) 1 x Custom MiniDP (convertible to HDMI or VGA) 2 x DB9 Serial with Power Option 1 x RJ45 Gigabit LAN 1 x RJ-11 Cash Drawer Port 1 x 4-pin PSU Connector (with latch) (option) Powered USB +12V/+24V
Display	18.5" Widescreen (1920 x 1080), True-Flat PCAP Multi-Touch
Power	65w / 19V (J6412 Processor) 120w / 19V (i3/i5 Processor)
Wireless Connectivity	(option) WiFi & Bluetooth
Peripheral (options)	3-Track MSR (USB) HID Global Fingerprint Reader (USB) 5MP Camera (USB) LCM 2x20 Customer Display (USB) 11.6" and 15.6" 2nd Display w. Touch 2D Honeywell Barcode Scanner Supports most common pin pads available from Ingenico, PAX, Verifone, IDTECH and others
Environment	Operating Temp: 32°F to 95°F (0°C to 35°C) Storage Temp: -40°F to 140°F (-20°C to 60°C) Humidity: 20% – 85% Non-Condensing
Dimensions	Screen Only: 17.75" W x 10.75" H x 1.75" D Screen & Base: 17.75" W x 14" H x 8.5" D 17lbs

Product specifications and data are subject to change without notice.

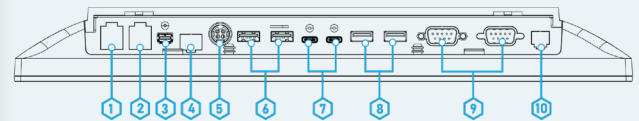
Breeze 185 Ultra All-in-One Drawings



Default Configurations

Product Code	Description
BU80800L1N-NN-NNNNN	Breeze 18.5" Ultra, J6412, 8GB RAM, 128GB, SSD, WIN11 IOT, Ultra Base II (Non-Foldable)
BU8080011N-NN-NNNNN	Breeze 18.5" Ultra, J6412, 8GB RAM, 128GB, SSD, WIN11 PRO, Ultra Base II (Non-Foldable)
BU83800L1N-NN-NNNNN	Breeze 18.5" Ultra, i3 Tiger Lake, 8GB RAM, 128GB, SSD, WIN11 IOT, Ultra Base II (Non-Foldable)
BU8380011N-NN-NNNNN	Breeze 18.5" Ultra, i3 Tiger Lake, 8GB RAM, 128GB, SSD, WIN11 PRO, Ultra Base II (Non-Foldable)

I/O Interfaces



- 1 (OPTION) POWERED USB +12V
- 2 (OPTION) POWERED USB +24V
- 3 CUSTOM VIDEO PORT
- 4 RJ-45 NETWORK PORT
- 5 DC-IN LOCKING CONNECTOR
- 6 USB 2.0 (2 PORTS)
- 7 USB-C (2 PORTS)
- 8 USB 3.0 (2 PORTS)
- 9 COM (2 PORTS)
- 10 RJ-11 CASH DRAWER PORT

