

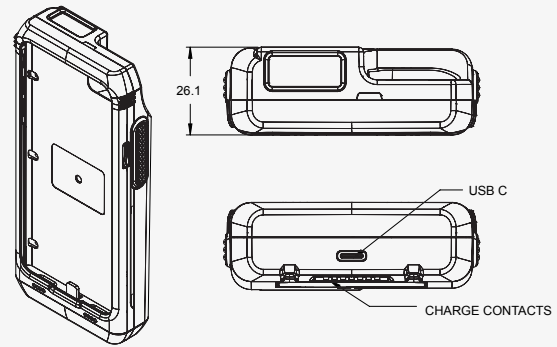
**Linea Pro Rugged
iPhone SE**

Increase Power and Workflow

The Linea Pro Rugged is a durable, compact device designed specifically for the iPhone SE. With its multi-purpose scanning capabilities and hot-swappable battery feature, LPR for iPhone SE is suited for any type of industry and can keep your business mobile around the clock.

Key Features

- 1D/2D Barcode Scanning
- HF RFID
- Compact Design
- IP65 Rated
- Comprehensive Software
- Hot-Swappable Battery



Electrical

Barcode Scanner	2D Imager with white LED illumination. Red LED dot aimer.
Battery	3.7V 2400mAh
HF RFID	13.56MHz
Indicator	Electro-magnetic buzzer
Input/Output/ Ports	USB Type-C
Input Voltage	5V
RFID Card Reader	HF RFID, MiFARE Mini, MiFARE Classic 1K / 4K, MiFARE UltraLight / UltraLight-C, MiFARE Plus 2K / 4K, ISO / IEC 14443 Type A/B, ISO / IEC 15693, MiFARE DESFire, JIS X 6319-4 (compatible with FeliCA)
Optional Features	Apple VAS, Google Smart Tap
UHF RFID Reader	EPC Class 1 Gen 2

Mechanical

Buttons	Volume +/-
Compatibility	iPhone SE
Dimensions (LxWxD)	76mm x 25mm x 157mm 3in x 1in x 6.18in
Port	USB-C, Accessory Connector
Weight	160g (without battery and iOS device) 5.6oz

Environmental

Storage	-15°C to +50°C (-59°F to 122°F) 5% to 90% Relative Humidity
Operating	-10°C to +40°C (14°F to 104°F) 5% to 90% Relative Humidity

Certifications

Regulatory	MFi, UN38.3, FCC, CE, RoHS
Environmental	1.2 meter Drop MIL-STD-810G, IP65

Specifications subject to change without notice. Infinite Peripherals, Mobilize Your Enterprise, Linea Pro, Infinea, Infinea Tab and Infinea X are trademarks of Infinite Peripherals, Inc. All other trademarks are the property of their respective owners.